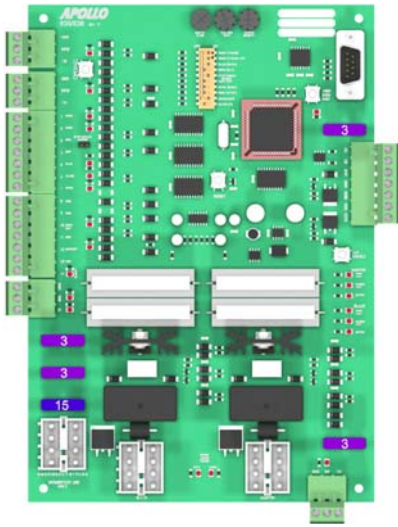


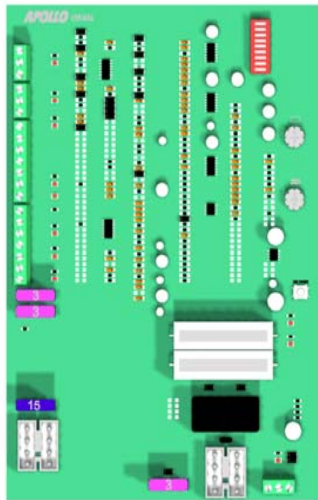
APOLLO *Gate Operators, Inc.*

1500/1600/1550ETL/1650ETL Swing Gate Operator Parts Manual

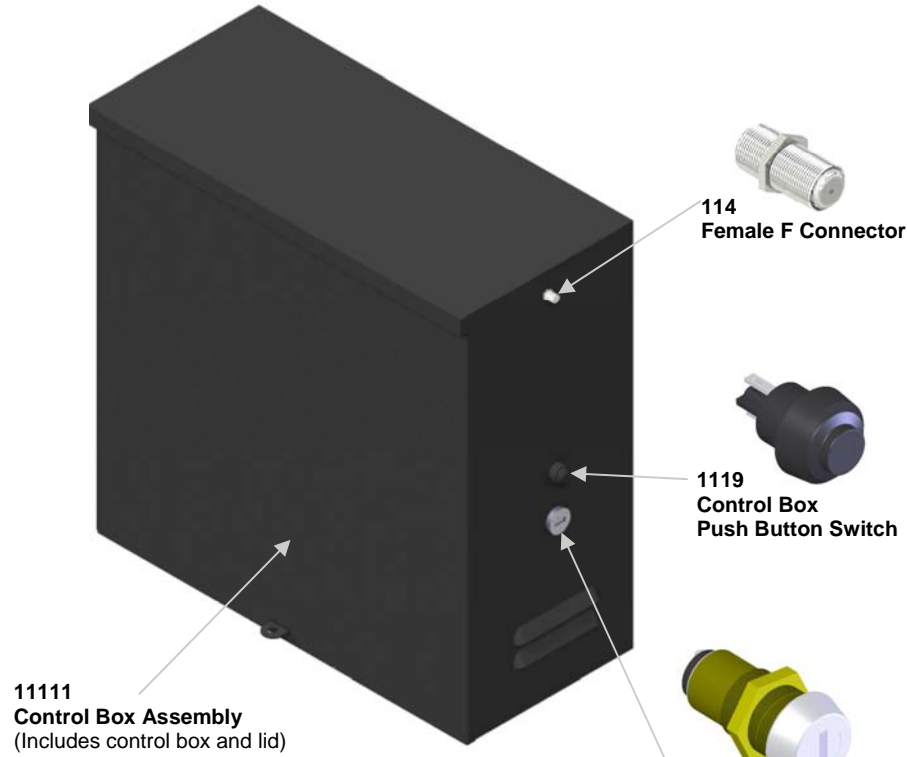




Control Board
1550ETL/1650ETL only
 835 (single) used in 1550ETL
 836 (dual) used in 1650ETL



Control Board
1500/1600 only
 635 (single) used in 1500
 636 (dual) used in 1600



11111
Control Box Assembly
 (Includes control box and lid)

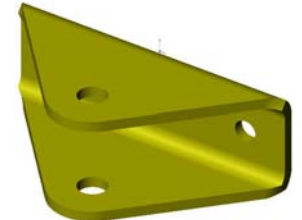
114
Female F Connector

1119
Control Box
Push Button Switch

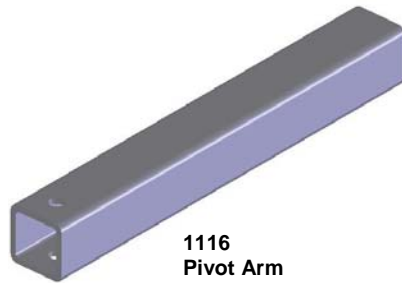
1115
Single Pole Key Switch
 with 2 keys



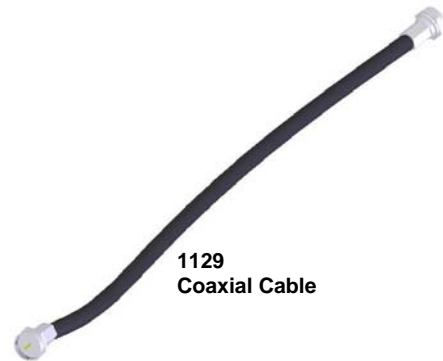
273G
Sign



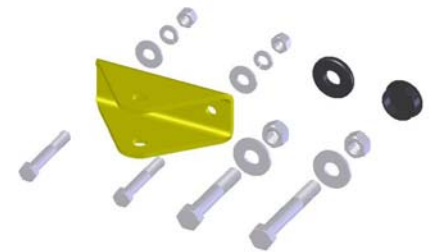
10025215
1/4" Gate Bracket



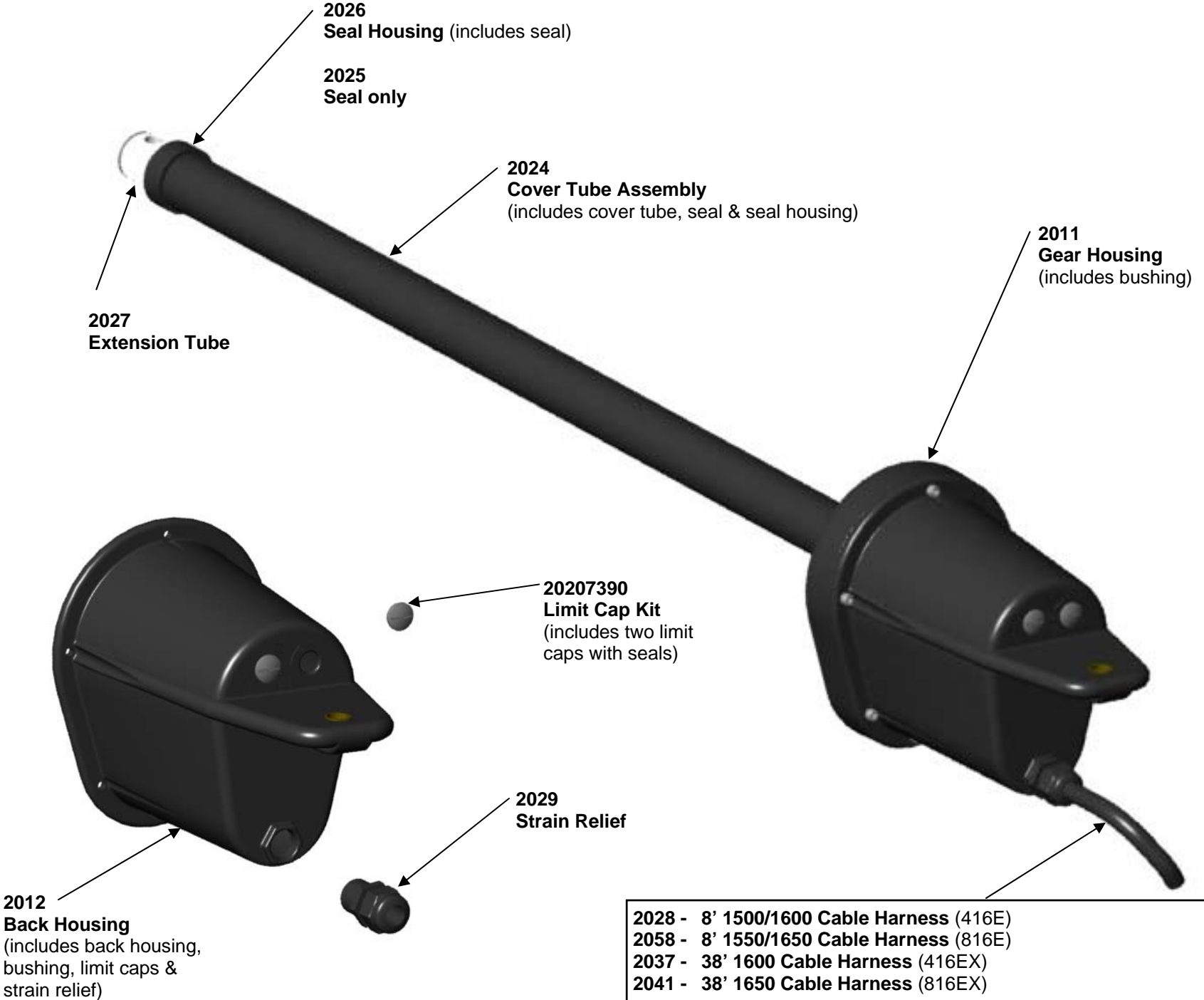
1116
Pivot Arm



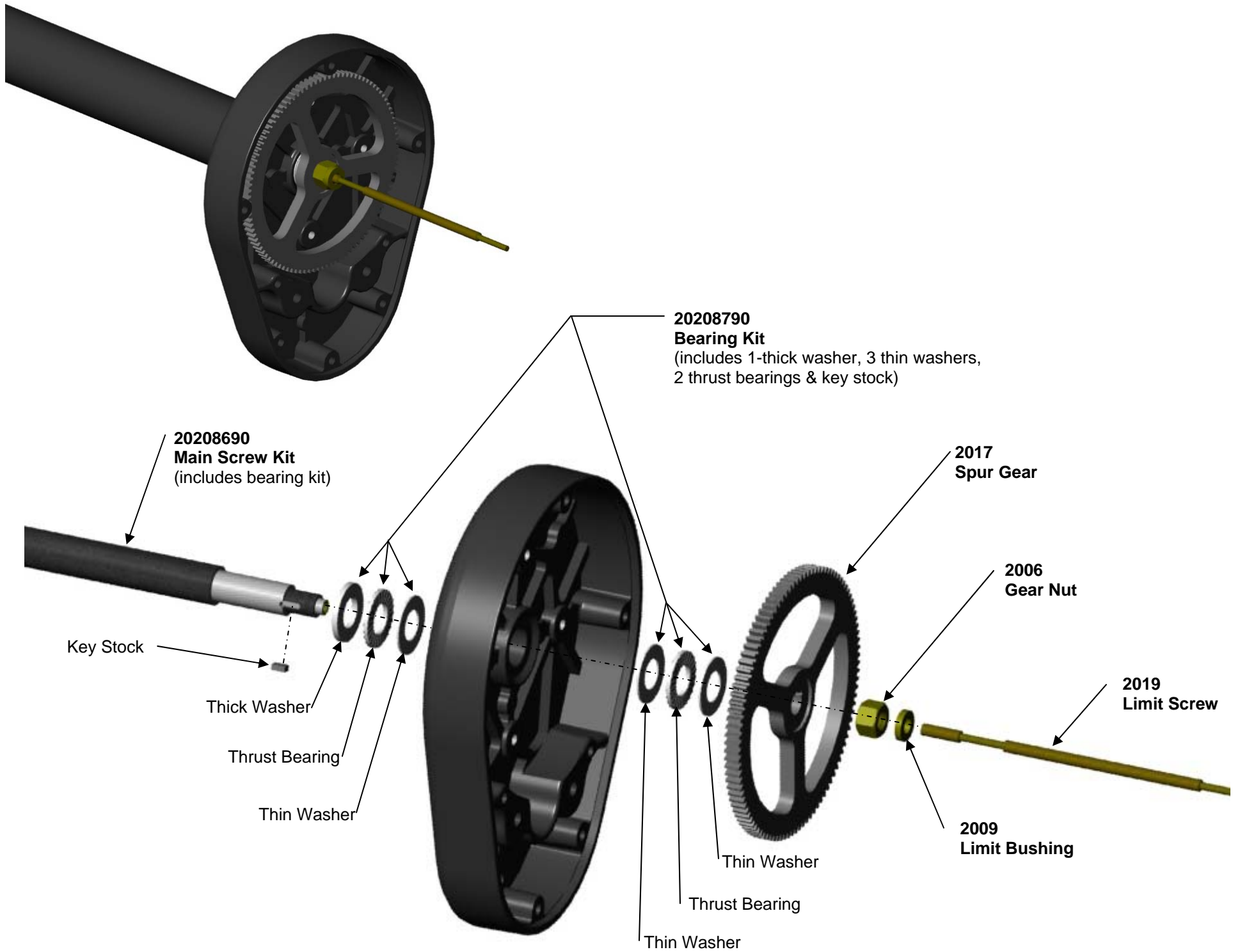
1129
Coaxial Cable

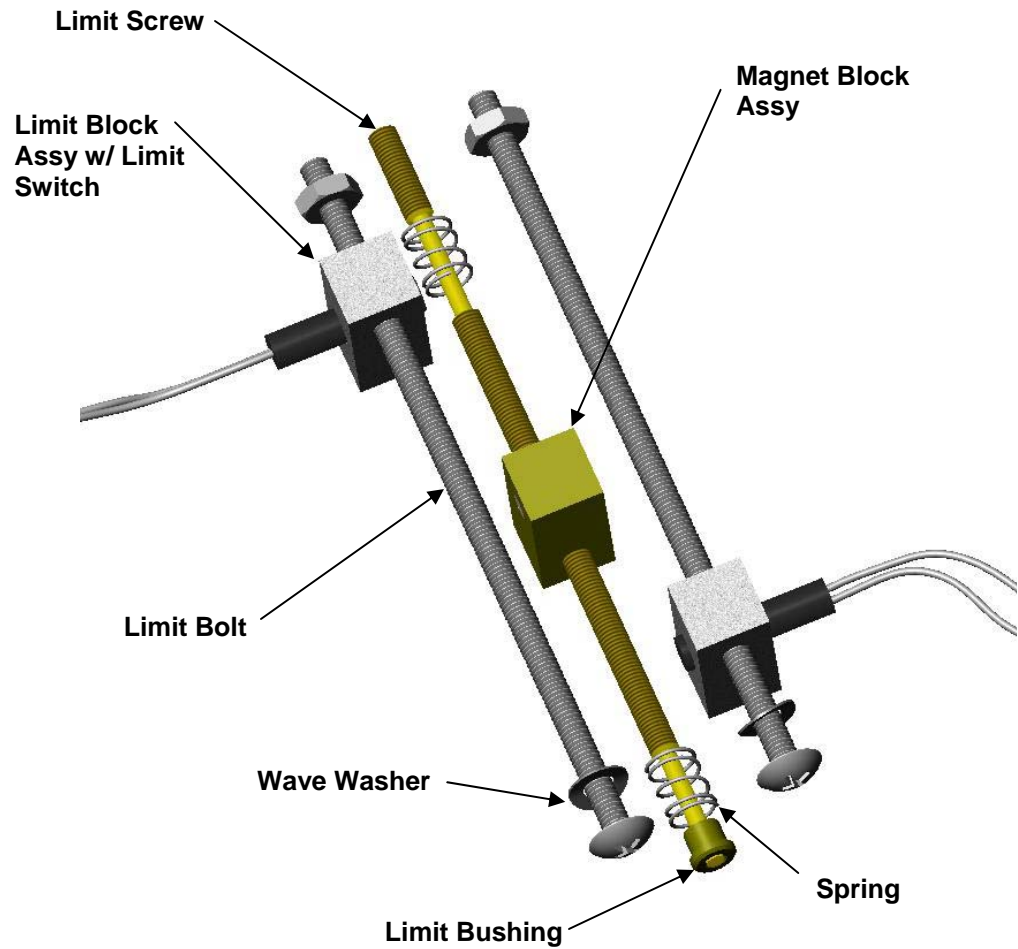
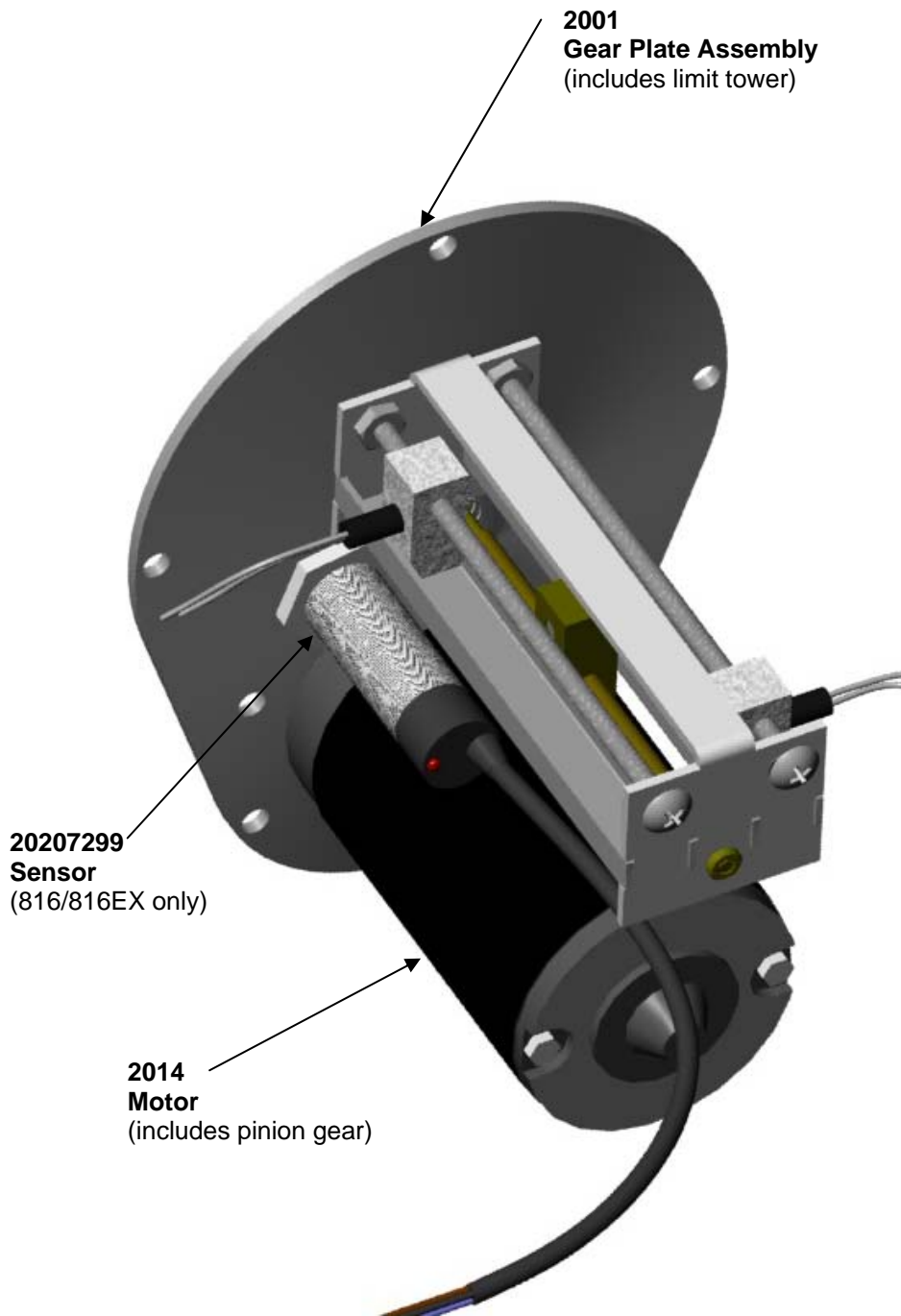


10015290
1550 Bolt Kit
 (2 required for 1650)



- | |
|--|
| 2028 - 8' 1500/1600 Cable Harness (416E) |
| 2058 - 8' 1550/1650 Cable Harness (816E) |
| 2037 - 38' 1600 Cable Harness (416EX) |
| 2041 - 38' 1650 Cable Harness (816EX) |
| 2040 - Cable (per foot) |





20208890

Limit Kit

Includes:

- (2) limit bolts w/ wave washers & lock nuts
- (1) limit screw
- (1) limit bushing
- (2) springs
- (2) 20207490 Limit Block Assy
- (1) 20200290 Magnet Block Assy